

Rittal – The System.

Faster – better – everywhere.

Digital Brochure

ENCLOSURES

POWER DISTRIBUTION

CLIMATE CONTROL

IT INFRASTRUCTURE

SOFTWARE & SERVICES

FRIEDHELM LOH GROUP

www.rittal.ca



Baying Systems TS 8



System accessories Page 421 Baying systems TS 8 Page 78

Material and surface finish:

- Enclosure frame: Carbon steel, 1.5 mm, dipcoat-primed
- Roof: Carbon steel, 1.5 mm, dipcoat-primed, powder-coated on the outside, textured paint
- Door: Carbon steel, 2 mm, dipcoat-primed, powder-coated on the outside, textured paint
- Rear wall: Carbon steel, 1.5 mm, dipcoat-primed, powder-coated on the outside, textured paint
- Base plates: Carbon steel, 1.5 mm, zinc-plated
- Mounting plate: Carbon steel, 3 mm, zinc-plated

Color:

- RAL 7035

Protection category IP to IEC 60 529:

- IP 55

Protection category NEMA:

- NEMA 12

Supply includes:

- Enclosure frame with door(s)
- Roof plate
- Base plates
- Rear wall
- Mounting plate
- 4 transportation eyebolts
- Lock: 3 mm double-bit

Note:

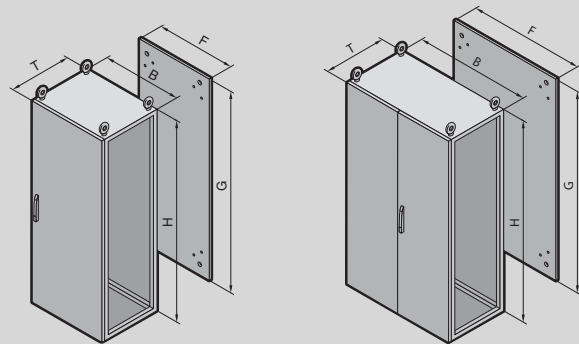
- 400 mm enclosure width version: without tubular door frame, mounting plate and base plates. Protection category IP 55 and NEMA 12 are not met

Approvals:

- UL
- CSA
- TÜV
- Norske Veritas
- Germanischer Lloyd
- Russian Maritime Register of Shipping
- Lloyds Register of Shipping
- Bureau Veritas

Technical details:

Available on the Internet



Height 47/55" (1200/1400 mm), Depth 20" (500 mm)

Height (H) inches (mm)	Packs of	47 (1200)	47 (1200)	47 (1200)	55 (1400)	55 (1400)	55 (1400)	Page
Width (B) inches (mm)		24 (600)	32 (800)	47 (1200)	24 (600)	32 (800)	47 (1200)	
Depth (T) inches (mm)		20 (500)	20 (500)	20 (500)	20 (500)	20 (500)	20 (500)	
Mounting plate height (G) inches (mm)		43 (1096)	43 (1096)	43 (1096)	51 (1296)	51 (1296)	51 (1296)	
Mounting plate width (F) inches (mm)		20 (499)	28 (699)	43 (1099)	20 (499)	28 (699)	43 (1099)	
Model No.	1 pc(s).	8615.500	8815.500	8215.500	8645.500	8845.500	8245.500	
Door(s)		1	1	2	1	1	2	
Weight lb (kg)		164 (74.5)	203 (92.1)	308 (140.0)	190 (86.0)	237 (107.5)	361 (163.5)	
2 support strips fitted in the enclosure depth		-	-	-	-	-	-	
Accessories								
Sidewalls, screw-fastened, carbon steel	2 pc(s).	8115.235	8115.235	8115.235	8145.235	8145.235	8145.235	450
Partition wall		-	-	-	-	-	-	
Partition wall for module plates		-	-	-	-	-	-	
Glazed door		-	-	-	-	-	-	
Flex-Block corner pieces, 4" (100 mm)	1 set(s)	8100.000	8100.000	8100.000	8100.000	8100.000	8100.000	425
Flex-Block trim panels, 4" (100 mm), solid, for width	1 set(s)	8100.600	8100.800	8100.120	8100.600	8100.800	8100.120	425
Flex-Block trim panels, 4" (100 mm), solid, for depth	1 set(s)	8100.500	8100.500	8100.500	8100.500	8100.500	8100.500	425
Flex-Block corner pieces, 8" (200 mm)	1 set(s)	8200.000	8200.000	8200.000	8200.000	8200.000	8200.000	425
Flex-Block trim panels, 8" (200 mm), solid, for width	1 set(s)	8200.600	8200.800	8200.120	8200.600	8200.800	8200.120	425
Flex-Block trim panels, 8" (200 mm), solid, for depth	1 set(s)	8200.500	8200.500	8200.500	8200.500	8200.500	8200.500	425
Base/Plinth components, front and rear, 4" (100 mm)	1 set(s)	8601.600	8601.800	8601.200	8601.600	8601.800	8601.200	427
Base/Plinth trim panels, side, 4" (100 mm)	1 set(s)	8601.050	8601.050	8601.050	8601.050	8601.050	8601.050	428
Base/Plinth components, front and rear, 8" (200 mm)	1 set(s)	8602.600	8602.800	8602.200	8602.600	8602.800	8602.200	427
Base/Plinth trim panels, side, 8" (200 mm)	1 set(s)	8602.050	8602.050	8602.050	8602.050	8602.050	8602.050	428
Leveling feet	4 pc(s).	4612.000	4612.000	4612.000	4612.000	4612.000	4612.000	434
Cable Clamp Rails	2 pc(s).	4191.000	4192.000	4196.000	4191.000	4192.000	4196.000	574
C rails 30/15	6 pc(s).	4944.000	4945.000	4947.000	4944.000	4945.000	4947.000	528
Section for cable entry, rear		8802.065	8802.085	8802.125	8802.065	8802.085	8802.125	563
	Packs of	1 set(s)	1 set(s)	2 set(s)	1 set(s)	1 set(s)	2 set(s)	
Cable entry plates		8800.060	8800.080	8800.120	8800.060	8800.080	8800.120	561
	Packs of	2 pc(s).	2 pc(s).	4 pc(s).	2 pc(s).	2 pc(s).	4 pc(s).	
Snap-On Nut TS		see page	see page	see page	see page	see page	see page	533
TS Support Strips		see page	see page	see page	see page	see page	see page	525
Rail systems		from page	from page	from page	from page	from page	from page	518
Baying systems		from page	from page	from page	from page	from page	from page	460
Carbon steel wiring plan pockets		see page	see page	see page	see page	see page	see page	497
180° hinges		see page	see page	see page	see page	see page	see page	492
Door stay for escape routes	1 pc(s).	4583.500	4583.500	4583.500	4583.500	4583.500	4583.500	497
Ride-up roller	10 pc(s).	4538.000	4538.000	4538.000	4538.000	4538.000	4538.000	498
Cable duct for vertical TS section		see page	see page	see page	see page	see page	see page	572
Cable duct		see page	see page	see page	see page	see page	see page	573
Mounting plate		-	-	-	-	-	-	
System lights		from page	from page	from page	from page	from page	from page	545
Ground straps		see page	see page	see page	see page	see page	see page	555
Lock systems		from page	from page	from page	from page	from page	from page	479

Baying Systems TS 8

Height 63" (1600 mm), Depth 20" (500 mm)

Height (H) inches (mm)	Packs of	63 (1600)	63 (1600)	63 (1600)	Page
Width (B) inches (mm)		24 (600)	32 (800)	47 (1200)	
Depth (T) inches (mm)		20 (500)	20 (500)	20 (500)	
Mounting plate height (G) inches (mm)		43 (1096)	43 (1096)	43 (1096)	
Mounting plate width (F) inches (mm)		20 (499)	28 (699)	43 (1099)	
Model No.	1 pc(s).	8665.500	8665.500	8265.500	
Door(s)		1	1	2	
Weight lb (kg)		220 (100.0)	227 (103.0)	351 (159.3)	
2 support strips fitted in the enclosure depth		-	-	-	
Accessories					
Sidewalls, screw-fastened, carbon steel	2 pc(s).	8165.235	8165.235	8165.235	450
Partition wall		-	-	-	
Partition wall for module plates		-	-	-	
Glazed door		-	-	-	
Flex-Block corner pieces, 4" (100 mm)	1 set(s)	8100.000	8100.000	8100.000	425
Flex-Block trim panels, 4" (100 mm), solid, for width	1 set(s)	8100.600	8100.800	8100.120	425
Flex-Block trim panels, 4" (100 mm), solid, for depth	1 set(s)	8100.500	8100.500	8100.500	425
Flex-Block corner pieces, 8" (200 mm)	1 set(s)	8200.000	8200.000	8200.000	425
Flex-Block trim panels, 8" (200 mm), solid, for width	1 set(s)	8200.600	8200.800	8200.120	425
Flex-Block trim panels, 8" (200 mm), solid, for depth	1 set(s)	8200.500	8200.500	8200.500	425
Base/Plinth components, front and rear, 4" (100 mm)	1 set(s)	8601.600	8601.800	8601.200	427
Base/Plinth trim panels, side, 4" (100 mm)	1 set(s)	8601.050	8601.050	8601.050	428
Base/Plinth components, front and rear, 8" (200 mm)	1 set(s)	8602.600	8602.800	8602.200	427
Base/Plinth trim panels, side, 8" (200 mm)	1 set(s)	8602.050	8602.050	8602.050	428
Leveling feet	4 pc(s).	4612.000	4612.000	4612.000	434
Cable Clamp Rails	2 pc(s).	4191.000	4192.000	4196.000	574
C rails 30/15	6 pc(s).	4944.000	4945.000	4947.000	528
Section for cable entry, rear		8802.065	8802.085	8802.125	563
	Packs of	1 set(s)	1 set(s)	2 set(s)	
Cable entry plates		8800.060	8800.080	8800.120	561
	Packs of	2 pc(s).	2 pc(s).	4 pc(s).	
Snap-On Nut TS		see page	see page	see page	533
TS Support Strips		see page	see page	see page	525
Rail systems		from page	from page	from page	518
Baying systems		from page	from page	from page	460
Carbon steel wiring plan pockets		see page	see page	see page	497
180° hinges		see page	see page	see page	492
Door stay for escape routes	1 pc(s).	4583.500	4583.500	4583.500	497
Ride-up roller	10 pc(s).	4538.000	4538.000	4538.000	498
Cable duct for vertical TS section		see page	see page	see page	572
Cable duct		see page	see page	see page	573
Mounting plate		-	-	-	
System lights		from page	from page	from page	545
Ground straps		see page	see page	see page	555
Lock systems		from page	from page	from page	479

Height 71" (1800 mm), Depth 16" (400 mm)

Height (H) inches (mm)	Packs of	71 (1800)	71 (1800)	71 (1800)	71 (1800)	71 (1800)	71 (1800)	Page
Width (B) inches (mm)		24 (600)	32 (800)	39 (1000)	39 (1000)	47 (1200)	63 (1600)	
Depth (T) inches (mm)		16 (400)	16 (400)	16 (400)	16 (400)	16 (400)	16 (400)	
Mounting plate height (G) inches (mm)		67 (1696)	67 (1696)	67 (1696)	67 (1696)	67 (1696)	67 (1696)	
Mounting plate width (F) inches (mm)		20 (499)	28 (699)	35 (899)	35 (899)	43 (1099)	59 (1499)	
Model No.	1 pc(s).	8684.500	8884.500	8080.500	8084.500	8284.500	8901.210	
Door(s)		1	1	2	1	2	2	
Weight lb (kg)		201 (91.3)	250 (113.5)	309 (140.0)	301 (136.4)	376 (170.6)	478 (216.8)	
2 support strips fitted in the enclosure depth		–	–	–	–	–	–	
Accessories								
Sidewalls, screw-fastened, carbon steel	2 pc(s).	8184.235	8184.235	8184.235	8184.235	8184.235	8184.235	450
Partition wall	1 pc(s).	8609.840	8609.840	8609.840	8609.840	8609.840	8609.840	454
Partition wall for module plates		–	–	–	–	–	–	
Glazed door	1 pc(s).	8610.685	8610.885	–	–	–	–	467
Flex-Block corner pieces, 4" (100 mm)	1 set(s)	8100.000	8100.000	8100.000	8100.000	8100.000	8100.000	425
Flex-Block trim panels, 4" (100 mm), solid, for width	1 set(s)	8100.600	8100.800	8100.010	8100.010	8100.120	8100.160	425
Flex-Block trim panels, 4" (100 mm), solid, for depth	1 set(s)	8100.400	8100.400	8100.400	8100.400	8100.400	8100.400	425
Flex-Block corner pieces, 8" (200 mm)	1 set(s)	8200.000	8200.000	8200.000	8200.000	8200.000	8200.000	425
Flex-Block trim panels, 8" (200 mm), solid, for width	1 set(s)	8200.600	8200.800	8200.010	8200.010	8200.120	8200.160	425
Flex-Block trim panels, 8" (200 mm), solid, for depth	1 set(s)	8200.400	8200.400	8200.400	8200.400	8200.400	8200.400	425
Base/Plinth components, front and rear, 4" (100 mm)	1 set(s)	8601.600	8601.800	8601.000	8601.000	8601.200	8601.920	427
Base/Plinth trim panels, side, 4" (100 mm)	1 set(s)	8601.040	8601.040	8601.040	8601.040	8601.040	8601.040	428
Base/Plinth components, front and rear, 8" (200 mm)	1 set(s)	8602.600	8602.800	8602.000	8602.000	8602.200	8602.920	427
Base/Plinth trim panels, side, 8" (200 mm)	1 set(s)	8602.040	8602.040	8602.040	8602.040	8602.040	8602.040	428
Leveling feet	4 pc(s).	4612.000	4612.000	4612.000	4612.000	4612.000	4612.000	434
Cable Clamp Rails	2 pc(s).	4191.000	4192.000	4336.000	4336.000	4196.000	4338.000	574
C rails 30/15	6 pc(s).	4944.000	4945.000	4946.000	4946.000	4947.000	–	528
Section for cable entry, rear		8802.065	8802.085	8802.105	8802.105	8802.125	8802.165	563
	Packs of	1 set(s)	1 set(s)	2 set(s)	2 set(s)	2 set(s)	2 set(s)	
Cable entry plates		8800.060	8800.080	8800.100	8800.100	8800.120	–	561
	Packs of	2 pc(s).	2 pc(s).	4 pc(s).	4 pc(s).	4 pc(s).	–	
Snap-On Nut TS		see page	see page	see page	see page	see page	see page	533
TS Support Strips	20 pc(s).	4596.000	see page	see page	see page	see page	see page	525
Rail systems		from page	from page	from page	from page	from page	from page	518
Baying systems		from page	from page	from page	from page	from page	from page	460
Carbon steel wiring plan pockets	1 pc(s).	see page	see page	see page	4124.000	see page	see page	497
180° hinges		see page	see page	see page	see page	see page	see page	492
Door stay for escape routes	1 pc(s).	4583.500	4583.500	4583.500	4583.500	4583.500	4583.500	497
Ride-up roller	10 pc(s).	4538.000	4538.000	4538.000	4538.000	4538.000	4538.000	498
Cable duct for vertical TS section		see page	see page	see page	see page	see page	see page	572
Cable duct		see page	see page	see page	see page	see page	see page	573
Mounting plate		–	–	–	–	–	–	
System lights		from page	from page	from page	from page	from page	from page	545
Ground straps		see page	see page	see page	see page	see page	see page	555
Lock systems		from page	from page	from page	from page	from page	from page	479

Baying Systems TS 8

Height 71" (1800 mm), Depth 20" (500 mm)

Height (H) inches (mm)	Packs of	71 (1800)	71 (1800)	71 (1800)	71 (1800)	71 (1800)	71 (1800)	71 (1800)	71 (1800)	Page
Width (B) inches (mm)		16 (400)	24 (600)	32 (800)	32 (800)	39 (1000)	47 (1200)	63 (1600)	71 (1800)	
Depth (T) inches (mm)		20 (500)	20 (500)	20 (500)	20 (500)	20 (500)	20 (500)	20 (500)	20 (500)	
Mounting plate height (G) inches (mm)		–	67 (1696)	67 (1696)	67 (1696)	67 (1696)	67 (1696)	67 (1696)	67 (1696)	
Mounting plate width (F) inches (mm)		–	20 (499)	28 (699)	28 (699)	35 (899)	43 (1099)	59 (1499)	67 (1699)	
Model No.	1 pc(s).	8485.510	8685.500	8880.500	8885.500	8085.500	8285.500	8901.220	8901.260	
Door(s)		1	1	2	1	1	2	2	2	
Weight lb (kg)		108 (49.2)	207 (93.8)	270 (122.5)	255 (115.8)	328 (148.7)	382 (173.3)	485 (219.9)	546 (247.6)	
2 support strips fitted in the enclosure depth		–	–	–	–	–	–	–	–	
Accessories										
Sidewalls, screw-fastened, carbon steel	2 pc(s).	8185.235	8185.235	8185.235	8185.235	8185.235	8185.235	8185.235	8185.235	450
Partition wall	1 pc(s).	8609.850	8609.850	8609.850	8609.850	8609.850	8609.850	8609.850	8609.850	454
Partition wall for module plates	1 pc(s).	8609.100	8609.100	8609.100	8609.100	8609.100	8609.100	8609.100	8609.100	455
Glazed door	1 pc(s).	–	8610.685	–	8610.885	–	–	–	–	467
Flex-Block corner pieces, 4" (100 mm)	1 set(s)	8100.000	8100.000	8100.000	8100.000	8100.000	8100.000	8100.000	8100.000	425
Flex-Block trim panels, 4" (100 mm), solid, for width	1 set(s)	8100.400	8100.600	8100.800	8100.800	8100.010	8100.120	8100.160	8100.180	425
Flex-Block trim panels, 4" (100 mm), solid, for depth	1 set(s)	8100.500	8100.500	8100.500	8100.500	8100.500	8100.500	8100.500	8100.500	425
Flex-Block corner pieces, 8" (200 mm)	1 set(s)	8200.000	8200.000	8200.000	8200.000	8200.000	8200.000	8200.000	8200.000	425
Flex-Block trim panels, 8" (200 mm), solid, for width	1 set(s)	8200.400	8200.600	8200.800	8200.800	8200.010	8200.120	8200.160	8200.180	425
Flex-Block trim panels, 8" (200 mm), solid, for depth	1 set(s)	8200.500	8200.500	8200.500	8200.500	8200.500	8200.500	8200.500	8200.500	425
Base/Plinth components, front and rear, 4" (100 mm)	1 set(s)	8601.400	8601.600	8601.800	8601.800	8601.000	8601.200	8601.920	8901.920	427
Base/Plinth trim panels, side, 4" (100 mm)	1 set(s)	8601.050	8601.050	8601.050	8601.050	8601.050	8601.050	8601.050	8601.050	428
Base/Plinth components, front and rear, 8" (200 mm)	1 set(s)	8602.400	8602.600	8602.800	8602.800	8602.000	8602.200	8602.920	8901.930	427
Base/Plinth trim panels, side, 8" (200 mm)	1 set(s)	8602.050	8602.050	8602.050	8602.050	8602.050	8602.050	8602.050	8602.050	428
Leveling feet	4 pc(s).	4612.000	4612.000	4612.000	4612.000	4612.000	4612.000	4612.000	4612.000	434
Cable Clamp Rails	2 pc(s).	4193.000	4191.000	4192.000	4192.000	4336.000	4196.000	4338.000	4339.000	574
C rails 30/15	6 pc(s).	–	4944.000	4945.000	4945.000	4946.000	4947.000	–	–	528
Section for cable entry, rear		–	8802.065	8802.085	8802.085	8802.105	8802.125	8802.165	–	563
	Packs of	–	1 set(s)	1 set(s)	1 set(s)	2 set(s)	2 set(s)	2 set(s)	–	
Cable entry plates		–	8800.060	8800.080	8800.080	8800.100	8800.120	–	–	561
	Packs of	–	2 pc(s).	2 pc(s).	2 pc(s).	4 pc(s).	4 pc(s).	–	–	
Snap-On Nut TS		see page	see page	see page	see page	see page	see page	see page	see page	533
TS Support Strips		–	see page	see page	see page	see page	see page	see page	see page	525
Rail systems		from page	from page	from page	from page	from page	from page	from page	from page	518
Baying systems		from page	from page	from page	from page	from page	from page	from page	from page	460
Carbon steel wiring plan pockets		–	see page	see page	see page	see page	see page	see page	see page	497
180° hinges		see page	see page	see page	see page	see page	see page	see page	see page	492
Door stay for escape routes	1 pc(s).	–	4583.500	4583.500	4583.500	4583.500	4583.500	4583.500	4583.500	497
Ride-up roller	10 pc(s).	4538.000	4538.000	4538.000	4538.000	4538.000	4538.000	4538.000	4538.000	498
Cable duct for vertical TS section		see page	see page	see page	see page	see page	see page	see page	see page	572
Cable duct		see page	see page	see page	see page	see page	see page	see page	see page	573
Mounting plate	1 pc(s).	8614.180	–	–	–	–	–	–	–	507
System lights		from page	from page	from page	from page	from page	from page	from page	from page	545
Ground straps		see page	see page	see page	see page	see page	see page	see page	see page	555
Lock systems		from page	from page	from page	from page	from page	from page	from page	from page	479

Height 71" (1800 mm), Depth 24" (600 mm)

Height (H) inches (mm)	Packs of	71 (1800)	71 (1800)	71 (1800)	71 (1800)	71 (1800)	71 (1800)	Page
Width (B) inches (mm)		16 (400)	24 (600)	32 (800)	32 (800)	47 (1200)	63 (1600)	
Depth (T) inches (mm)		24 (600)	24 (600)	24 (600)	24 (600)	24 (600)	24 (600)	
Mounting plate height (G) inches (mm)		–	67 (1696)	67 (1696)	67 (1696)	67 (1696)	67 (1696)	
Mounting plate width (F) inches (mm)		–	20 (499)	28 (699)	28 (699)	43 (1099)	59 (1499)	
Model No.	1 pc(s).	8486.510	8686.500	8881.500	8886.500	8286.500	8901.230	
Door(s)		1	1	2	1	2	2	
Weight lb (kg)		114 (51.7)	213 (96.8)	277 (125.8)	265 (120.3)	397 (179.9)	502 (227.7)	
2 support strips fitted in the enclosure depth		■	■	■	■	■	■	
Accessories								
Sidewalls, screw-fastened, carbon steel	2 pc(s).	8186.235	8186.235	8186.235	8186.235	8186.235	8186.235	450
Partition wall	1 pc(s).	8609.860	8609.860	8609.860	8609.860	8609.860	8609.860	454
Partition wall for module plates	1 pc(s).	8609.110	8609.110	8609.110	8609.110	8609.110	8609.110	455
Glazed door	1 pc(s).	–	8610.685	–	8610.885	–	–	467
Flex-Block corner pieces, 4" (100 mm)	1 set(s)	8100.000	8100.000	8100.000	8100.000	8100.000	8100.000	425
Flex-Block trim panels, 4" (100 mm), solid, for width	1 set(s)	8100.400	8100.600	8100.800	8100.800	8100.120	8100.160	425
Flex-Block trim panels, 4" (100 mm), solid, for depth	1 set(s)	8100.600	8100.600	8100.600	8100.600	8100.600	8100.600	425
Flex-Block corner pieces, 8" (200 mm)	1 set(s)	8200.000	8200.000	8200.000	8200.000	8200.000	8200.000	425
Flex-Block trim panels, 8" (200 mm), solid, for width	1 set(s)	8200.400	8200.600	8200.800	8200.800	8200.120	8200.160	425
Flex-Block trim panels, 8" (200 mm), solid, for depth	1 set(s)	8200.600	8200.600	8200.600	8200.600	8200.600	8200.600	425
Base/Plinth components, front and rear, 4" (100 mm)	1 set(s)	8601.400	8601.600	8601.800	8601.800	8601.200	8601.920	427
Base/Plinth trim panels, side, 4" (100 mm)	1 set(s)	8601.060	8601.060	8601.060	8601.060	8601.060	8601.060	428
Base/Plinth components, front and rear, 8" (200 mm)	1 set(s)	8602.400	8602.600	8602.800	8602.800	8602.200	8602.920	427
Base/Plinth trim panels, side, 8" (200 mm)	1 set(s)	8602.060	8602.060	8602.060	8602.060	8602.060	8602.060	428
Leveling feet	4 pc(s).	4612.000	4612.000	4612.000	4612.000	4612.000	4612.000	434
Cable Clamp Rails	2 pc(s).	4193.000	4191.000	4192.000	4192.000	4196.000	4338.000	574
C rails 30/15	6 pc(s).	–	4944.000	4945.000	4945.000	4947.000	–	528
Section for cable entry, rear		–	8802.065	8802.085	8802.085	8802.125	8802.165	563
	Packs of	–	1 set(s)	1 set(s)	1 set(s)	2 set(s)	2 set(s)	
Cable entry plates		–	8800.060	8800.080	8800.080	8800.120	–	561
	Packs of	–	2 pc(s).	2 pc(s).	2 pc(s).	4 pc(s).	–	
Snap-On Nut TS		see page	see page	see page	see page	see page	see page	533
TS Support Strips		–	see page	see page	see page	see page	see page	525
Rail systems		from page	from page	from page	from page	from page	from page	518
Baying systems		from page	from page	from page	from page	from page	from page	460
Carbon steel wiring plan pockets		–	see page	see page	see page	see page	see page	497
180° hinges		see page	see page	see page	see page	see page	see page	492
Door stay for escape routes	1 pc(s).	–	4583.500	4583.500	4583.500	4583.500	4583.500	497
Ride-up roller	10 pc(s).	4538.000	4538.000	4538.000	4538.000	4538.000	4538.000	498
Cable duct for vertical TS section		see page	see page	see page	see page	see page	see page	572
Cable duct		see page	see page	see page	see page	see page	see page	573
Mounting plate	1 pc(s).	8614.180	–	–	–	–	–	507
System lights		from page	from page	from page	from page	from page	from page	545
Ground straps		see page	see page	see page	see page	see page	see page	555
Lock systems		from page	from page	from page	from page	from page	from page	479

Baying Systems TS 8

Height 79" (2000 mm), Depth 16" (400 mm)

Height (H) inches (mm)	Packs of	79 (2000)	79 (2000)	79 (2000)	79 (2000)	Page
Width (B) inches (mm)		24 (600)	32 (800)	39 (1000)	47 (1200)	
Depth (T) inches (mm)		16 (400)	16 (400)	16 (400)	16 (400)	
Mounting plate height (G) inches (mm)		75 (1896)	75 (1896)	75 (1896)	75 (1896)	
Mounting plate width (F) inches (mm)		20 (499)	28 (699)	35 (899)	43 (1099)	
Model No.	1 pc(s).	8604.500	8804.500	8004.500	8204.500	
Door(s)		1	1	2	2	
Weight lb (kg)		218 (99.0)	273 (124.0)	337 (152.8)	407 (184.5)	
2 support strips fitted in the enclosure depth		–	–	–	–	
Accessories						
Sidewalls, screw-fastened, carbon steel	2 pc(s).	8104.235	8104.235	8104.235	8104.235	450
Partition wall	1 pc(s).	8609.040	8609.040	8609.040	8609.040	454
Partition wall for module plates		–	–	–	–	
Glazed door	1 pc(s).	8610.605	8610.805	–	–	467
Flex-Block corner pieces, 4" (100 mm)	1 set(s)	8100.000	8100.000	8100.000	8100.000	425
Flex-Block trim panels, 4" (100 mm), solid, for width	1 set(s)	8100.600	8100.800	8100.010	8100.120	425
Flex-Block trim panels, 4" (100 mm), solid, for depth	1 set(s)	8100.400	8100.400	8100.400	8100.400	425
Flex-Block corner pieces, 8" (200 mm)	1 set(s)	8200.000	8200.000	8200.000	8200.000	425
Flex-Block trim panels, 8" (200 mm), solid, for width	1 set(s)	8200.600	8200.800	8200.010	8200.120	425
Flex-Block trim panels, 8" (200 mm), solid, for depth	1 set(s)	8200.400	8200.400	8200.400	8200.400	425
Base/Plinth components, front and rear, 4" (100 mm)	1 set(s)	8601.600	8601.800	8601.000	8601.200	427
Base/Plinth trim panels, side, 4" (100 mm)	1 set(s)	8601.040	8601.040	8601.040	8601.040	428
Base/Plinth components, front and rear, 8" (200 mm)	1 set(s)	8602.600	8602.800	8602.000	8602.200	427
Base/Plinth trim panels, side, 8" (200 mm)	1 set(s)	8602.040	8602.040	8602.040	8602.040	428
Leveling feet	4 pc(s).	4612.000	4612.000	4612.000	4612.000	434
Cable Clamp Rails	2 pc(s).	4191.000	4192.000	4336.000	4196.000	574
C rails 30/15	6 pc(s).	4944.000	4945.000	4946.000	4947.000	528
Section for cable entry, rear		8802.065	8802.085	8802.105	8802.125	563
	Packs of	1 set(s)	1 set(s)	2 set(s)	2 set(s)	
Cable entry plates		8800.060	8800.080	8800.100	8800.120	561
	Packs of	2 pc(s).	2 pc(s).	4 pc(s).	4 pc(s).	
Snap-On Nut TS		see page	see page	see page	see page	533
TS Support Strips		see page	see page	see page	see page	525
Rail systems		from page	from page	from page	from page	518
Baying systems		from page	from page	from page	from page	460
Carbon steel wiring plan pockets		see page	see page	see page	see page	497
180° hinges		see page	see page	see page	see page	492
Door stay for escape routes	1 pc(s).	4583.500	4583.500	4583.500	4583.500	497
Ride-up roller	10 pc(s).	4538.000	4538.000	4538.000	4538.000	498
Cable duct for vertical TS section		see page	see page	see page	see page	572
Cable duct		see page	see page	see page	see page	573
Mounting plate		–	–	–	–	
System lights		from page	from page	from page	from page	545
Ground straps		see page	see page	see page	see page	555
Lock systems		from page	from page	from page	from page	479

Height 79" (2000 mm), Depth 20" (500 mm)

Height (H) inches (mm)	Packs of	79 (2000)	79 (2000)	79 (2000)	79 (2000)	79 (2000)	79 (2000)	79 (2000)	79 (2000)	79 (2000)	Page
Width (B) inches (mm)		16 (400)	16 (400)	24 (600)	32 (800)	39 (1000)	39 (1000)	47 (1200)	63 (1600)	71 (1800)	
Depth (T) inches (mm)		20 (500)	20 (500)	20 (500)	20 (500)	20 (500)	20 (500)	20 (500)	20 (500)	20 (500)	
Mounting plate height (G) inches (mm)		–	75 (1896)	75 (1896)	75 (1896)	75 (1896)	75 (1896)	75 (1896)	75 (1896)	75 (1896)	
Mounting plate width (F) inches (mm)		–	12 (299)	20 (499)	28 (699)	35 (899)	35 (899)	43 (1099)	59 (1499)	67 (1699)	
Model No.	1 pc(s).	8405.510	8405.500	8605.500	8805.500	8005.435	8005.500	8205.500	8901.290	8901.420	
Door(s)		1	1	1	1	1	2	2	2	2	
Weight lb (kg)		134 (60.7)	116 (52.6)	223 (101.3)	278 (126.3)	346 (156.9)	346 (157.1)	420 (190.6)	583 (264.4)	656 (297.5)	
2 support strips fitted in the enclosure depth		–	–	–	–	–	–	–	–	–	
Accessories											
Sidewalls, screw-fastened, carbon steel	2 pc(s).	8105.235	8105.235	8105.235	8105.235	8105.235	8105.235	8105.235	8105.235	8105.235	450
Partition wall	1 pc(s).	8609.050	8609.050	8609.050	8609.050	8609.050	8609.050	8609.050	8609.050	8609.050	454
Partition wall for module plates	1 pc(s).	8609.120	8609.120	8609.120	8609.120	8609.120	8609.120	8609.120	8609.120	8609.120	455
Glazed door	1 pc(s).	–	–	8610.605	8610.805	–	–	–	–	–	467
Flex-Block corner pieces, 4" (100 mm)	1 set(s)	8100.000	8100.000	8100.000	8100.000	8100.000	8100.000	8100.000	8100.000	8100.000	425
Flex-Block trim panels, 4" (100 mm), solid, for width	1 set(s)	8100.400	8100.400	8100.600	8100.800	8100.010	8100.010	8100.120	8100.160	8100.180	425
Flex-Block trim panels, 4" (100 mm), solid, for depth	1 set(s)	8100.500	8100.500	8100.500	8100.500	8100.500	8100.500	8100.500	8100.500	8100.500	425
Flex-Block corner pieces, 8" (200 mm)	1 set(s)	8200.000	8200.000	8200.000	8200.000	8200.000	8200.000	8200.000	8200.000	8200.000	425
Flex-Block trim panels, 8" (200 mm), solid, for width	1 set(s)	8200.400	8200.400	8200.600	8200.800	8200.010	8200.010	8200.120	8200.160	8200.180	425
Flex-Block trim panels, 8" (200 mm), solid, for depth	1 set(s)	8200.500	8200.500	8200.500	8200.500	8200.500	8200.500	8200.500	8200.500	8200.500	425
Base/Plinth components, front and rear, 4" (100 mm)	1 set(s)	8601.400	8601.400	8601.600	8601.800	8601.000	8601.000	8601.200	8601.920	8901.920	427
Base/Plinth trim panels, side, 4" (100 mm)	1 set(s)	8601.050	8601.050	8601.050	8601.050	8601.050	8601.050	8601.050	8601.050	8601.050	428
Base/Plinth components, front and rear, 8" (200 mm)	1 set(s)	8602.400	8602.400	8602.600	8602.800	8602.000	8602.000	8602.200	8602.920	8901.930	427
Base/Plinth trim panels, side, 8" (200 mm)	1 set(s)	8602.050	8602.050	8602.050	8602.050	8602.050	8602.050	8602.050	8602.050	8602.050	428
Leveling feet	4 pc(s).	4612.000	4612.000	4612.000	4612.000	4612.000	4612.000	4612.000	4612.000	4612.000	434
Cable Clamp Rails	2 pc(s).	4193.000	4193.000	4191.000	4192.000	4336.000	4336.000	4196.000	4338.000	4339.000	574
C rails 30/15	6 pc(s).	–	–	4944.000	4945.000	4946.000	4946.000	4947.000	–	–	528
Section for cable entry, rear		–	–	8802.065	8802.085	8802.105	8802.105	8802.125	8802.165	–	563
	Packs of	–	–	1 set(s)	1 set(s)	2 set(s)	2 set(s)	2 set(s)	2 set(s)	–	
Cable entry plates		–	–	8800.060	8800.080	8800.100	8800.100	8800.120	–	–	561
	Packs of	–	–	2 pc(s).	2 pc(s).	4 pc(s).	4 pc(s).	4 pc(s).	–	–	
Snap-On Nut TS		see page	see page	see page	see page	see page	see page	see page	see page	see page	533
TS Support Strips		–	–	see page	see page	see page	see page	see page	see page	see page	525
Rail systems		from page	from page	from page	from page	from page	from page	from page	from page	from page	518
Baying systems		from page	from page	from page	from page	from page	from page	from page	from page	from page	460
Carbon steel wiring plan pockets		–	–	see page	see page	see page	see page	see page	see page	see page	497
180° hinges		see page	see page	see page	see page	see page	see page	see page	see page	see page	492
Door stay for escape routes	1 pc(s).	–	–	4583.500	4583.500	4583.500	4583.500	4583.500	4583.500	4583.500	497
Ride-up roller	10 pc(s).	4538.000	4538.000	4538.000	4538.000	4538.000	4538.000	4538.000	4538.000	4538.000	498
Cable duct for vertical TS section		see page	see page	see page	see page	see page	see page	see page	see page	see page	572
Cable duct		see page	see page	see page	see page	see page	see page	see page	see page	see page	573
Mounting plate	1 pc(s).	8614.200	–	–	–	–	–	–	–	–	507
System lights		from page	from page	from page	from page	from page	from page	from page	from page	from page	545
Ground straps		see page	see page	see page	see page	see page	see page	see page	see page	see page	555
Lock systems		from page	from page	from page	from page	from page	from page	from page	from page	from page	479

Baying Systems TS 8

Height 79" (2000 mm), Depth 24" (600 mm)

Height (H) inches (mm)	Packs of	79 (2000)	79 (2000)	79 (2000)	79 (2000)	79 (2000)	79 (2000)	79 (2000)	79 (2000)	Page
Width (B) inches (mm)		16 (400)	24 (600)	32 (800)	39 (1000)	39 (1000)	47 (1200)	63 (1600)	71 (1800)	
Depth (T) inches (mm)		24 (600)	24 (600)	24 (600)	24 (600)	24 (600)	24 (600)	24 (600)	24 (600)	
Mounting plate height (G) inches (mm)		–	75 (1896)	75 (1896)	75 (1896)	75 (1896)	75 (1896)	75 (1896)	75 (1896)	
Mounting plate width (F) inches (mm)		–	20 (499)	28 (699)	35 (899)	35 (899)	43 (1099)	59 (1499)	67 (1699)	
Model No.	1 pc(s).	8406.510	8606.500	8806.500	8006.530	8006.500	8206.500	8901.400	8901.430	
Door(s)		1	1	1	1	2	2	2	2	
Weight lb (kg)		123 (55.7)	229 (104.0)	288 (130.5)	437 (198.2)	355 (161.2)	429 (194.6)	699 (317.0)	787 (356.9)	
2 support strips fitted in the enclosure depth		■	■	■	■	■	■	■	■	
Accessories										
Sidewalls, screw-fastened, carbon steel	2 pc(s).	8106.235	8106.235	8106.235	8106.235	8106.235	8106.235	8106.235	8106.235	450
Partition wall	1 pc(s).	8609.060	8609.060	8609.060	8609.060	8609.060	8609.060	8609.060	8609.060	454
Partition wall for module plates	1 pc(s).	8609.130	8609.130	8609.130	8609.130	8609.130	8609.130	8609.130	8609.130	455
Glazed door	1 pc(s).	–	8610.605	8610.805	–	–	–	–	–	467
Flex-Block corner pieces, 4" (100 mm)	1 set(s)	8100.000	8100.000	8100.000	8100.000	8100.000	8100.000	8100.000	8100.000	425
Flex-Block trim panels, 4" (100 mm), solid, for width	1 set(s)	8100.400	8100.600	8100.800	8100.010	8100.010	8100.120	8100.160	8100.180	425
Flex-Block trim panels, 4" (100 mm), solid, for depth	1 set(s)	8100.600	8100.600	8100.600	8100.600	8100.600	8100.600	8100.600	8100.600	425
Flex-Block corner pieces, 8" (200 mm)	1 set(s)	8200.000	8200.000	8200.000	8200.000	8200.000	8200.000	8200.000	8200.000	425
Flex-Block trim panels, 8" (200 mm), solid, for width	1 set(s)	8200.400	8200.600	8200.800	8200.010	8200.010	8200.120	8200.160	8200.180	425
Flex-Block trim panels, 8" (200 mm), solid, for depth	1 set(s)	8200.600	8200.600	8200.600	8200.600	8200.600	8200.600	8200.600	8200.600	425
Base/Plinth components, front and rear, 4" (100 mm)	1 set(s)	8601.400	8601.600	8601.800	8601.000	8601.000	8601.200	8601.920	8901.920	427
Base/Plinth trim panels, side, 4" (100 mm)	1 set(s)	8601.060	8601.060	8601.060	8601.060	8601.060	8601.060	8601.060	8601.060	428
Base/Plinth components, front and rear, 8" (200 mm)	1 set(s)	8602.400	8602.600	8602.800	8602.000	8602.000	8602.200	8602.920	8901.930	427
Base/Plinth trim panels, side, 8" (200 mm)	1 set(s)	8602.060	8602.060	8602.060	8602.060	8602.060	8602.060	8602.060	8602.060	428
Leveling feet	4 pc(s).	4612.000	4612.000	4612.000	4612.000	4612.000	4612.000	4612.000	4612.000	434
Cable Clamp Rails	2 pc(s).	4193.000	4191.000	4192.000	4336.000	4336.000	4196.000	4338.000	4339.000	574
C rails 30/15	6 pc(s).	–	4944.000	4945.000	4946.000	4946.000	4947.000	–	–	528
Section for cable entry, rear		–	8802.065	8802.085	8802.105	8802.105	8802.125	8802.165	–	563
	Packs of	–	1 set(s)	1 set(s)	2 set(s)	2 set(s)	2 set(s)	2 set(s)	–	
Cable entry plates		–	8800.060	8800.080	8800.100	8800.100	8800.120	–	–	561
	Packs of	–	2 pc(s).	2 pc(s).	4 pc(s).	4 pc(s).	4 pc(s).	–	–	
Snap-On Nut TS		see page	see page	see page	see page	see page	see page	see page	see page	533
TS Support Strips		–	see page	see page	see page	see page	see page	see page	see page	525
Rail systems		from page	from page	from page	from page	from page	from page	from page	from page	518
Baying systems		from page	from page	from page	from page	from page	from page	from page	from page	460
Carbon steel wiring plan pockets		–	see page	see page	see page	see page	see page	see page	see page	497
180° hinges		see page	see page	see page	see page	see page	see page	see page	see page	492
Door stay for escape routes	1 pc(s).	–	4583.500	4583.500	4583.500	4583.500	4583.500	4583.500	4583.500	497
Ride-up roller	10 pc(s).	4538.000	4538.000	4538.000	4538.000	4538.000	4538.000	4538.000	4538.000	498
Cable duct for vertical TS section		see page	see page	see page	see page	see page	see page	see page	see page	572
Cable duct		see page	see page	see page	see page	see page	see page	see page	see page	573
Mounting plate	1 pc(s).	8614.200	–	–	–	–	–	–	–	507
System lights		from page	from page	from page	from page	from page	from page	from page	from page	545
Ground straps		see page	see page	see page	see page	see page	see page	see page	see page	555
Lock systems		from page	from page	from page	from page	from page	from page	from page	from page	479

Height 79" (2000 mm), Depth 32" (800 mm)

Height (H) inches (mm)	Packs of	79 (2000)	79 (2000)	79 (2000)	79 (2000)	79 (2000)	79 (2000)	Page
Width (B) inches (mm)		24 (600)	32 (800)	39 (1000)	47 (1200)	63 (1600)	71 (1800)	
Depth (T) inches (mm)		32 (800)	32 (800)	32 (800)	32 (800)	32 (800)	32 (800)	
Mounting plate height (G) inches (mm)		75 (1896)	75 (1896)	75 (1896)	75 (1896)	75 (1896)	75 (1896)	
Mounting plate width (F) inches (mm)		20 (499)	28 (699)	35 (899)	43 (1099)	59 (1499)	67 (1699)	
Model No.	1 pc(s).	8608.500	8808.500	8008.530	8208.500	8901.410	8901.440	
Door(s)		1	1	1	2	2	2	
Weight lb (kg)		245 (111.3)	302 (137.0)	583 (264.4)	448 (203.0)	932 (422.7)	1049 (475.8)	
2 support strips fitted in the enclosure depth		■	■	■	■	■	■	
Accessories								
Sidewalls, screw-fastened, carbon steel	2 pc(s).	8108.235	8108.235	8108.235	8108.235	8108.235	8108.235	450
Partition wall	1 pc(s).	8609.080	8609.080	8609.080	8609.080	8609.080	8609.080	454
Partition wall for module plates		–	–	–	–	–	–	
Glazed door	1 pc(s).	8610.605	8610.805	–	–	–	–	467
Flex-Block corner pieces, 4" (100 mm)	1 set(s)	8100.000	8100.000	8100.000	8100.000	8100.000	8100.000	425
Flex-Block trim panels, 4" (100 mm), solid, for width	1 set(s)	8100.600	8100.800	8100.010	8100.120	8100.160	8100.180	425
Flex-Block trim panels, 4" (100 mm), solid, for depth	1 set(s)	8100.800	8100.800	8100.800	8100.800	8100.800	8100.800	425
Flex-Block corner pieces, 8" (200 mm)	1 set(s)	8200.000	8200.000	8200.000	8200.000	8200.000	8200.000	425
Flex-Block trim panels, 8" (200 mm), solid, for width	1 set(s)	8200.600	8200.800	8200.010	8200.120	8200.160	8200.180	425
Flex-Block trim panels, 8" (200 mm), solid, for depth	1 set(s)	8200.800	8200.800	8200.800	8200.800	8200.800	8200.800	425
Base/Plinth components, front and rear, 4" (100 mm)	1 set(s)	8601.600	8601.800	8601.000	8601.200	8601.920	8901.920	427
Base/Plinth trim panels, side, 4" (100 mm)	1 set(s)	8601.080	8601.080	8601.080	8601.080	8601.080	8601.080	428
Base/Plinth components, front and rear, 8" (200 mm)	1 set(s)	8602.600	8602.800	8602.000	8602.200	8602.920	8901.930	427
Base/Plinth trim panels, side, 8" (200 mm)	1 set(s)	8602.080	8602.080	8602.080	8602.080	8602.080	8602.080	428
Leveling feet	4 pc(s).	4612.000	4612.000	4612.000	4612.000	4612.000	4612.000	434
Cable Clamp Rails	2 pc(s).	4191.000	4192.000	4336.000	4196.000	4338.000	4339.000	574
C rails 30/15	6 pc(s).	4944.000	4945.000	4946.000	4947.000	–	–	528
Section for cable entry, rear		8802.065	8802.085	8802.105	8802.125	8802.165	–	563
	Packs of	1 set(s)	1 set(s)	2 set(s)	2 set(s)	2 set(s)	–	
Cable entry plates		8800.060	8800.080	8800.100	8800.120	–	–	561
	Packs of	2 pc(s).	2 pc(s).	4 pc(s).	4 pc(s).	–	–	
Snap-On Nut TS		see page	see page	see page	see page	see page	see page	533
TS Support Strips		see page	see page	see page	see page	see page	see page	525
Rail systems		from page	from page	from page	from page	from page	from page	518
Baying systems		from page	from page	from page	from page	from page	from page	460
Carbon steel wiring plan pockets		see page	see page	see page	see page	see page	see page	497
180° hinges		see page	see page	see page	see page	see page	see page	492
Door stay for escape routes	1 pc(s).	4583.500	4583.500	4583.500	4583.500	4583.500	4583.500	497
Ride-up roller	10 pc(s).	4538.000	4538.000	4538.000	4538.000	4538.000	4538.000	498
Cable duct for vertical TS section		see page	see page	see page	see page	see page	see page	572
Cable duct		see page	see page	see page	see page	see page	see page	573
Mounting plate		–	–	–	–	–	–	
System lights		from page	from page	from page	from page	from page	from page	545
Ground straps		see page	see page	see page	see page	see page	see page	555
Lock systems		from page	from page	from page	from page	from page	from page	479

Baying Systems TS 8

Height 87" (2200 mm), Depth 20" (500 mm)

Height (H) inches (mm)	Packs of	87 (2200)	87 (2200)	87 (2200)	87 (2200)	Page
Width (B) inches (mm)		24 (600)	32 (800)	39 (1000)	47 (1200)	
Depth (T) inches (mm)		20 (500)	20 (500)	20 (500)	20 (500)	
Mounting plate height (G) inches (mm)		83 (2096)	83 (2096)	83 (2096)	83 (2096)	
Mounting plate width (F) inches (mm)		20 (499)	28 (699)	35 (899)	43 (1099)	
Model No.	1 pc(s).	8625.500	8825.500	8025.500	8225.500	
Door(s)		1	1	1	2	
Weight lb (kg)		164 (74.7)	321 (145.6)	401 (182.3)	481 (218.1)	
2 support strips fitted in the enclosure depth		-	-	-	-	
Accessories						
Sidewalls, screw-fastened, carbon steel	2 pc(s).	8125.235	8125.235	8125.235	8125.235	450
Partition wall	1 pc(s).	-	-	-	-	
Partition wall for module plates		-	-	-	-	
Glazed door	1 pc(s).	8610.625	8610.825	-	-	467
Flex-Block corner pieces, 4" (100 mm)	1 set(s)	8100.000	8100.000	8100.000	8100.000	425
Flex-Block trim panels, 4" (100 mm), solid, for width	1 set(s)	8100.600	8100.800	8100.010	8100.120	425
Flex-Block trim panels, 4" (100 mm), solid, for depth	1 set(s)	8100.500	8100.500	8100.500	8100.500	425
Flex-Block corner pieces, 8" (200 mm)	1 set(s)	8200.500	8200.000	8200.000	8200.000	425
Flex-Block trim panels, 8" (200 mm), solid, for width	1 set(s)	8200.600	8200.800	8200.010	8200.120	425
Flex-Block trim panels, 8" (200 mm), solid, for depth	1 set(s)	8200.500	8200.500	8200.500	8200.500	425
Base/Plinth components, front and rear, 4" (100 mm)	1 set(s)	8601.600	8601.800	8601.000	8601.200	427
Base/Plinth trim panels, side, 4" (100 mm)	1 set(s)	8601.050	8601.050	8601.050	8601.050	428
Base/Plinth components, front and rear, 8" (200 mm)	1 set(s)	8602.600	8602.800	8602.000	8602.200	427
Base/Plinth trim panels, side, 8" (200 mm)	1 set(s)	8602.050	8602.050	8602.050	8602.050	428
Leveling feet	4 pc(s).	4612.000	4612.000	4612.000	4612.000	434
Cable Clamp Rails	2 pc(s).	4191.000	4192.000	4336.000	4196.000	574
C rails 30/15	6 pc(s).	4944.000	4945.000	4946.000	4947.000	528
Section for cable entry, rear		8802.065	8802.085	8802.105	8802.125	563
	Packs of	1 set(s)	1 set(s)	2 set(s)	2 set(s)	
Cable entry plates		8800.060	8800.080	8800.100	8800.120	561
	Packs of	2 pc(s).	2 pc(s).	4 pc(s).	4 pc(s).	
Snap-On Nut TS		see page	see page	see page	see page	533
TS Support Strips		see page	see page	see page	see page	525
Rail systems		from page	from page	from page	from page	518
Baying systems		from page	from page	from page	from page	460
Carbon steel wiring plan pockets		see page	see page	see page	see page	497
180° hinges		see page	see page	see page	see page	492
Door stay for escape routes	1 pc(s).	4583.500	4583.500	4583.500	4583.500	497
Ride-up roller	10 pc(s).	4538.000	4538.000	4538.000	4538.000	498
Cable duct for vertical TS section		see page	see page	see page	see page	572
Cable duct		see page	see page	see page	see page	573
Mounting plate		-	-	-	-	
System lights		from page	from page	from page	from page	545
Ground straps		see page	see page	see page	see page	555
Lock systems		from page	from page	from page	from page	479

Height 87" (2200 mm), Depth 24" (600 mm)

Height (H) inches (mm)	Packs of	87 (2200)	87 (2200)	87 (2200)	87 (2200)	Page
Width (B) inches (mm)		24 (600)	32 (800)	39 (1000)	47 (1200)	
Depth (T) inches (mm)		24 (600)	24 (600)	24 (600)	24 (600)	
Mounting plate height (G) inches (mm)		83 (2096)	83 (2096)	83 (2096)	83 (2096)	
Mounting plate width (F) inches (mm)		20 (499)	28 (699)	35 (899)	43 (1099)	
Model No.	1 pc(s).	8626.500	8826.500	8026.500	8226.500	
Door(s)		1	1	1	2	
Weight lb (kg)		249 (113.1)	307 (139.3)	345 (156.4)	459 (208.0)	
2 support strips fitted in the enclosure depth		■	■	■	■	

Accessories						
Sidewalls, screw-fastened, carbon steel	2 pc(s).	8126.235	8126.235	8126.235	8126.235	450
Partition wall	1 pc(s).	8609.260	8609.260	8609.260	8609.260	454
Partition wall for module plates		–	–	–	–	
Glazed door	1 pc(s).	8610.625	8610.825	–	–	467
Flex-Block corner pieces, 4" (100 mm)	1 set(s)	8100.000	8100.000	8100.000	8100.000	425
Flex-Block trim panels, 4" (100 mm), solid, for width	1 set(s)	8100.600	8100.800	8100.010	8100.120	425
Flex-Block trim panels, 4" (100 mm), solid, for depth	1 set(s)	8100.600	8100.600	8100.600	8100.600	425
Flex-Block corner pieces, 8" (200 mm)	1 set(s)	8200.000	8200.000	8200.000	8200.000	425
Flex-Block trim panels, 8" (200 mm), solid, for width	1 set(s)	8200.600	8200.800	8200.010	8200.120	425
Flex-Block trim panels, 8" (200 mm), solid, for depth	1 set(s)	8200.600	8200.600	8200.600	8200.600	425
Base/Plinth components, front and rear, 4" (100 mm)	1 set(s)	8601.600	8601.800	8601.000	8601.200	427
Base/Plinth trim panels, side, 4" (100 mm)	1 set(s)	8601.060	8601.060	8601.060	8601.060	428
Base/Plinth components, front and rear, 8" (200 mm)	1 set(s)	8602.600	8602.800	8602.000	8602.200	427
Base/Plinth trim panels, side, 8" (200 mm)	1 set(s)	8602.060	8602.060	8602.060	8602.060	428
Leveling feet	4 pc(s).	4612.000	4612.000	4612.000	4612.000	434
Cable Clamp Rails	2 pc(s).	4191.000	4192.000	4336.000	4196.000	574
C rails 30/15	6 pc(s).	4944.000	4945.000	4946.000	4947.000	528
Section for cable entry, rear		8802.065	8802.085	8802.105	8802.125	563
	Packs of	1 set(s)	1 set(s)	2 set(s)	2 set(s)	
Cable entry plates		8800.060	8800.080	8800.100	8800.120	561
	Packs of	2 pc(s).	2 pc(s).	4 pc(s).	4 pc(s).	
Snap-On Nut TS		see page	see page	see page	see page	533
TS Support Strips		see page	see page	see page	see page	525
Rail systems		from page	from page	from page	from page	518
Baying systems		from page	from page	from page	from page	460
Carbon steel wiring plan pockets		see page	see page	see page	see page	497
180° hinges		see page	see page	see page	see page	492
Door stay for escape routes	1 pc(s).	4583.500	4583.500	4583.500	4583.500	497
Ride-up roller	10 pc(s).	4538.000	4538.000	4538.000	4538.000	498
Cable duct for vertical TS section		see page	see page	see page	see page	572
Cable duct		see page	see page	see page	see page	573
Mounting plate		–	–	–	–	
System lights		from page	from page	from page	from page	545
Ground straps		see page	see page	see page	see page	555
Lock systems		from page	from page	from page	from page	479

Baying Systems TS 8

Height 87" (2200 mm), Depth 32" (800 mm)

Height (H) inches (mm)	Packs of	87 (2200)	87 (2200)	87 (2200)	87 (2200)	Page
Width (B) inches (mm)		24 (600)	32 (800)	39 (1000)	47 (1200)	
Depth (T) inches (mm)		32 (800)	32 (800)	32 (800)	32 (800)	
Mounting plate height (G) inches (mm)		83 (2096)	83 (2096)	83 (2096)	83 (2096)	
Mounting plate width (F) inches (mm)		20 (499)	28 (699)	35 (899)	43 (1099)	
Model No.	1 pc(s).	8628.500	8828.500	8028.500	8228.500	
Door(s)		1	1	1	2	
Weight lb (kg)		260 (117.9)	320 (145.1)	358 (162.3)	470 (213.1)	
2 support strips fitted in the enclosure depth		■	■	■	■	

Accessories						
Sidewalls, screw-fastened, carbon steel	2 pc(s).	8126.235	8126.235	8126.235	8126.235	450
Partition wall	1 pc(s).	–	–	–	–	454
Partition wall for module plates		–	–	–	–	
Glazed door	1 pc(s).	8610.625	8610.825	–	–	467
Flex-Block corner pieces, 4" (100 mm)	1 set(s)	8100.000	8100.000	8100.000	8100.000	425
Flex-Block trim panels, 4" (100 mm), solid, for width	1 set(s)	8100.600	8100.800	8100.010	8100.120	425
Flex-Block trim panels, 4" (100 mm), solid, for depth	1 set(s)	8100.800	8100.800	8100.800	8100.800	425
Flex-Block corner pieces, 8" (200 mm)	1 set(s)	8200.000	8200.000	8200.000	8200.000	425
Flex-Block trim panels, 8" (200 mm), solid, for width	1 set(s)	8200.600	8200.800	8200.010	8200.120	425
Flex-Block trim panels, 8" (200 mm), solid, for depth	1 set(s)	8200.800	8200.800	8200.800	8200.800	425
Base/Plinth components, front and rear, 4" (100 mm)	1 set(s)	8601.600	8601.800	8601.000	8601.200	427
Base/Plinth trim panels, side, 4" (100 mm)	1 set(s)	8601.080	8601.080	8601.080	8601.080	428
Base/Plinth components, front and rear, 8" (200 mm)	1 set(s)	8602.600	8602.800	8602.000	8602.200	427
Base/Plinth trim panels, side, 8" (200 mm)	1 set(s)	8602.080	8602.080	8602.080	8602.080	428
Leveling feet	4 pc(s).	4612.000	4612.000	4612.000	4612.000	434
Cable Clamp Rails	2 pc(s).	4191.000	4192.000	4336.000	4196.000	574
C rails 30/15	6 pc(s).	4944.000	4945.000	4946.000	4947.000	528
Section for cable entry, rear		8802.065	8802.085	8802.105	8802.125	563
	Packs of	1 set(s)	1 set(s)	2 set(s)	2 set(s)	
Cable entry plates		8800.060	8800.080	8800.100	8800.120	561
	Packs of	2 pc(s).	2 pc(s).	4 pc(s).	4 pc(s).	
Snap-On Nut TS		see page	see page	see page	see page	533
TS Support Strips		see page	see page	see page	see page	525
Rail systems		from page	from page	from page	from page	518
Baying systems		from page	from page	from page	from page	460
Carbon steel wiring plan pockets		see page	see page	see page	see page	497
180° hinges		see page	see page	see page	see page	492
Door stay for escape routes	1 pc(s).	4583.500	4583.500	4583.500	4583.500	497
Ride-up roller	10 pc(s).	4538.000	4538.000	4538.000	4538.000	498
Cable duct for vertical TS section		see page	see page	see page	see page	572
Cable duct		see page	see page	see page	see page	573
Mounting plate		–	–	–	–	
System lights		from page	from page	from page	from page	545
Ground straps		see page	see page	see page	see page	555
Lock systems		from page	from page	from page	from page	479